

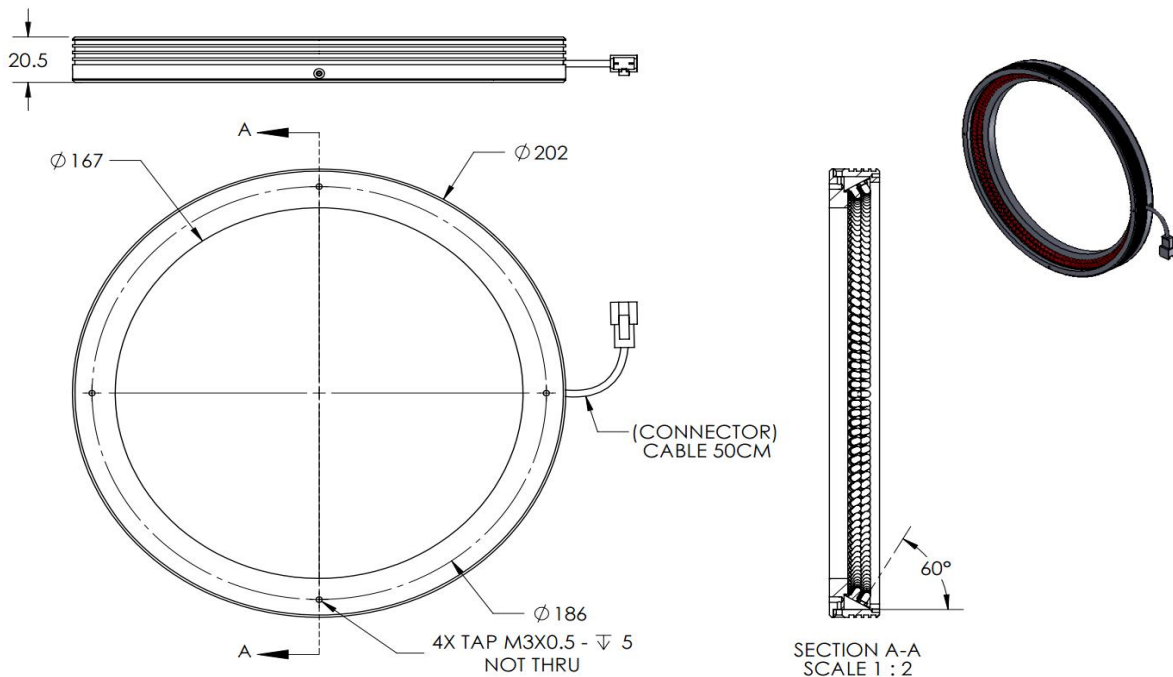


OPTO ENGINEERING

# ILLUMINATOR DATA

## LTZZ0200-60-2-W-24V

### Lighting Dimension



ROHS COMPLIANT CE

### Mechanical Information

Casing Material	Aluminium
Storage Temperature Range	0 - 45°C
Storage Humidity Range	20 - 85%
Weight	350g
Length / Outer Diameter	202mm
Width / Inner Diameter	167mm
Thickness / Height	20.5mm



OPTO ENGINEERING

# ILLUMINATOR DATA

## LTZZO200-60-2-W-24V

Lighting Information																					
Part Number	LTZZO200-60-2-W-24V																				
LED Color	WHITE																				
Wavelength	REFER TO CHROMACITY TABLE																				
Working Distance	41 mm      46 mm      51 mm																				
Intensity (±15%)	45700lx      48300lx      49700lx																				
Illumination (number of row)	2																				
Illumination Active Area	Active Length / Outer Dia.      190 mm																				
	Active Width / Inner Dia.      167 mm																				
Emission angle	0																				
Eye Safety Class ( IEC62471 )	EXEMPT																				
Chromaticity Table For White colour only	<table border="1"> <tbody> <tr> <td>X</td> <td>0.296</td> <td>0.287</td> <td>0.307</td> <td>0.311</td> <td>X</td> <td>0.311</td> <td>0.307</td> <td>0.33</td> <td>0.33</td> </tr> <tr> <td>Y</td> <td>0.276</td> <td>0.295</td> <td>0.315</td> <td>0.294</td> <td>Y</td> <td>0.294</td> <td>0.315</td> <td>0.339</td> <td>0.318</td> </tr> </tbody> </table>	X	0.296	0.287	0.307	0.311	X	0.311	0.307	0.33	0.33	Y	0.276	0.295	0.315	0.294	Y	0.294	0.315	0.339	0.318
X	0.296	0.287	0.307	0.311	X	0.311	0.307	0.33	0.33												
Y	0.276	0.295	0.315	0.294	Y	0.294	0.315	0.339	0.318												

Electrical Information	
Rated Constant Voltage	24V±2%
Rated Constant Current	585mA
Power Consumption	14.04W
Casing temperature, After 60 minutes operation	46.2 °C

Strobe Mode Specification	
*Normal Strobe Voltage	24 V
*Normal Strobe Current	585mA
Overdrive Voltage Range	Min: 36V      Max: 48V
Overdrive Current Range	Min: 3.9 A      Max: 3.9 A
Recommended Overdrive Voltage	36V
**Max. Trigger Pulse Duration	10 msec
**Max. Duty Cycle	10%

\*Normal strobe means the lighting is operated using the rated power. Overdrive means the power supplied to the lighting exceeded the rated power.

\*\*Overdrive condition must not exceed the max. trigger pulse duration and max. duty cycle.

# ILLUMINATOR DATA

## LTZZ0200-60-2-W-24V

Connection Information			
Connector Type (Default)	JST SMR-03V		
Cable Length	50 cm		
Pin Configuration  	Pin	Signal	Cable Colour
	1	LED +	Red
	2	N.C	-
	3	LED -	White
			

Additional Information	
Additional Cooling Method	Attached to machine part for better heat dissipation
Intensity Controller Selection	SD, ST, ANG, LC, SDA, SDP series
CE Conformity	YES
RoHS Compliance	YES

Application	
Illumination Type	Direct Illumination
Application Use	Edge Detection, Scratched On Metal or Glossy Surface



OPTO ENGINEERING

# ILLUMINATOR DATA

## LTZZ0200-60-2-W-24V

Lighting Pattern				
Working Distance	46mm			
Display and Image				
Data Results	Horizontal	Meas.(mm)	Vertical	Meas.(mm)
	90%	49	90%	52
	80%	69	80%	73
	70%	83	70%	88
	60%	96	60%	101
	50%	107	50%	113
	40%	120	40%	126
	30%	132	30%	139
	20%	149	20%	160
	10%	184	10%	207
Max	Meas.(cd/m2)			
	12075.306			